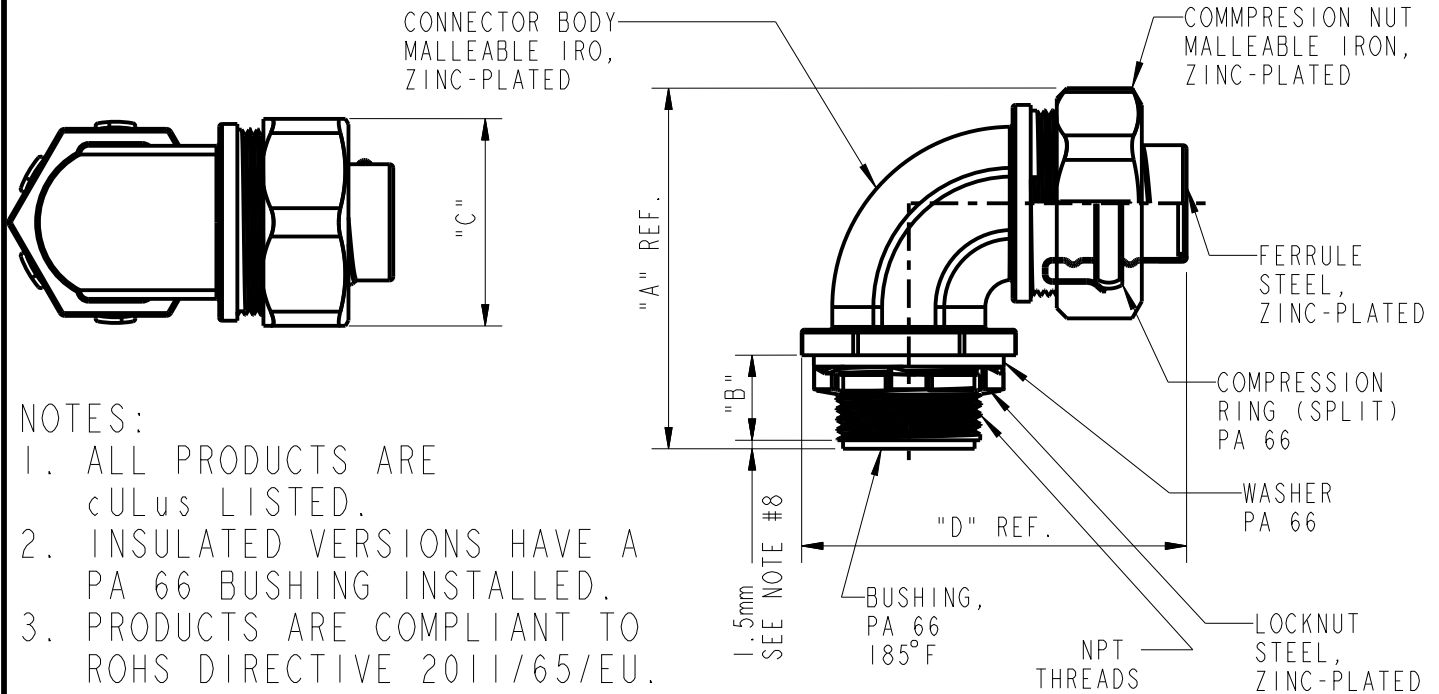




Steel City



NOTES:

1. ALL PRODUCTS ARE cULus LISTED.
2. INSULATED VERSIONS HAVE A PA 66 BUSHING INSTALLED.
3. PRODUCTS ARE COMPLIANT TO ROHS DIRECTIVE 2011/65/EU.

NON-INSULATED	INSULATED						
CAT. NO.	CAT. NO.	SIZE	NPT	"A"mm	"B"mm	"C"mm	"D"mm
LT938-SC	LT938T-SC	3/8"	1/2"-14	50	14	27	56.8
LT950-SC	LT950T-SC	1/2"	1/2"-14	52.5	14	31	59.1
LT975-SC	LT975T-SC	3/4"	3/4"-14	63.6	15	36.5	67.9
LT9100-SC	LT9100T-SC	1"	1"-11 1/2	75.1	16.5	43.5	81.1
LT9125-SC	LT9125T-SC	1-1/4"	1-1/4"-11 1/2	84.8	17.5	55	95.1
LT9150-SC	LT9150T-SC	1-1/2"	1-1/2"-11 1/2	90.1	18	61	106.6
LT9200-SC	LT9200T-SC	2"	2"-11 1/2	105.1	19	76.2	123
LT9250-SC	LT9250T-SC	2-1/2"	2-1/2"-8	162.3	26	92	180.2
LT9300-SC	LT9300T-SC	3"	3"-8	179.1	27	116.5	198
LT9350-SC	LT9350T-SC	3-1/2"	3-1/2"-8	194	28	125	212.3
LT9400-SC	LT9400T-SC	4"	4"-8	208.5	29	149.1	221

GENERAL NOTES

1. ALL DIMENSIONS ARE FOR REFERENCE ONLY.
2. DIMENSIONS IN BRACKETS [] ARE IN METRIC UNITS.

REVISIONS

0 SEE ERN (***) FOR APPROVAL SIGNATURES & RELEASE DATE. PROJECT NO: ***

Thomas & Betts
A Member of the ABB Group

DESCRIPTION: **3/8" TO 4" MALLEABLE IRON, 90° LIQUIDTIGHT FITTINGS, STEEL CITY**

ORIGINAL PROJECT NO / (ERN NO)
01P000681 / (2017534)

SHEET NO:
1 OF 2

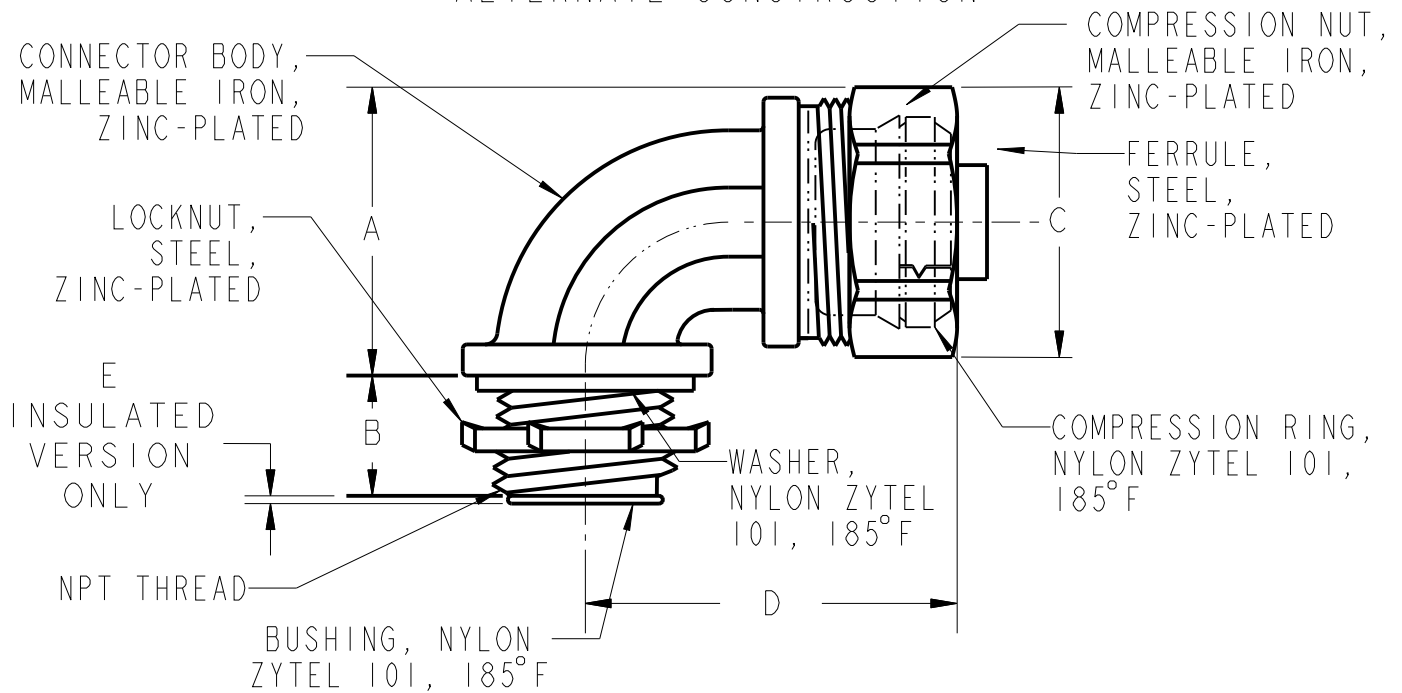
REV. NO:
0

DRAWING NO:
WSD-001715



Steel City

ALTERNATE CONSTRUCTION



* ADD A 'T' TO CATALOG NO. FOR INSULATED VERSION (EXAMPLE LT438T-SC).

T&B CAT NO.*	SIZE	NPT	A±.031	B±.031	C±.031	D±.031	E±.020
LT938-SC	3/8"	1/2-14	1.365	.520	1.200	1.680	.060
LT950-SC	1/2"	1/2-14	1.470	.520	1.330	1.620	
LT975-SC	3/4"	3/4-14	1.760	.560	1.585	1.800	
LT9100-SC	1"	1-11 1/2	2.150	.630	1.840	2.100	
LT9125-SC	1-1/4"	1 1/4-11 1/2	2.340	.690	2.250	2.270	
LT9150-SC	1-1/2"	1 1/2-11 1/2	2.660	.680	2.500	2.530	
LT9200-SC	2"	2-11 1/2	3.040	.750	3.000	2.770	

T&B CAT NO.	SIZE	NPT	A±.062	B±.062	C±.062	D±.062	E±.020
LT9250-SC	2 1/2"	2 1/2-8	8.400	1.100	4.040	8.050	.100
LT9300-SC	3"	3-8	9.600	1.150	4.840	9.220	
LT9350-SC	3 1/2"	3 1/2-8	11.750	1.120	5.530	11.070	
LT9400-SC	4"	4-8	14.000	1.250	6.120	13.120	

GENERAL NOTES

1. ALL DIMENSIONS ARE FOR REFERENCE ONLY.
2. DIMENSIONS IN BRACKETS [] ARE IN METRIC UNITS.

REVISIONS

0 SEE ERN (***) FOR APPROVAL SIGNATURES & RELEASE DATE. PROJECT NO: ***

Thomas & Betts
A Member of the ABB Group

DESCRIPTION: **3/8" TO 4" MALLEABLE IRON, 90° LIQUIDTIGHT FITTINGS, STEEL CITY**

ORIGINAL PROJECT NO / (ERN NO)
01P000681 / (2017534)

SHEET NO:
2 OF 2

REV. NO:
0

DRAWING NO:
WSD-001715